



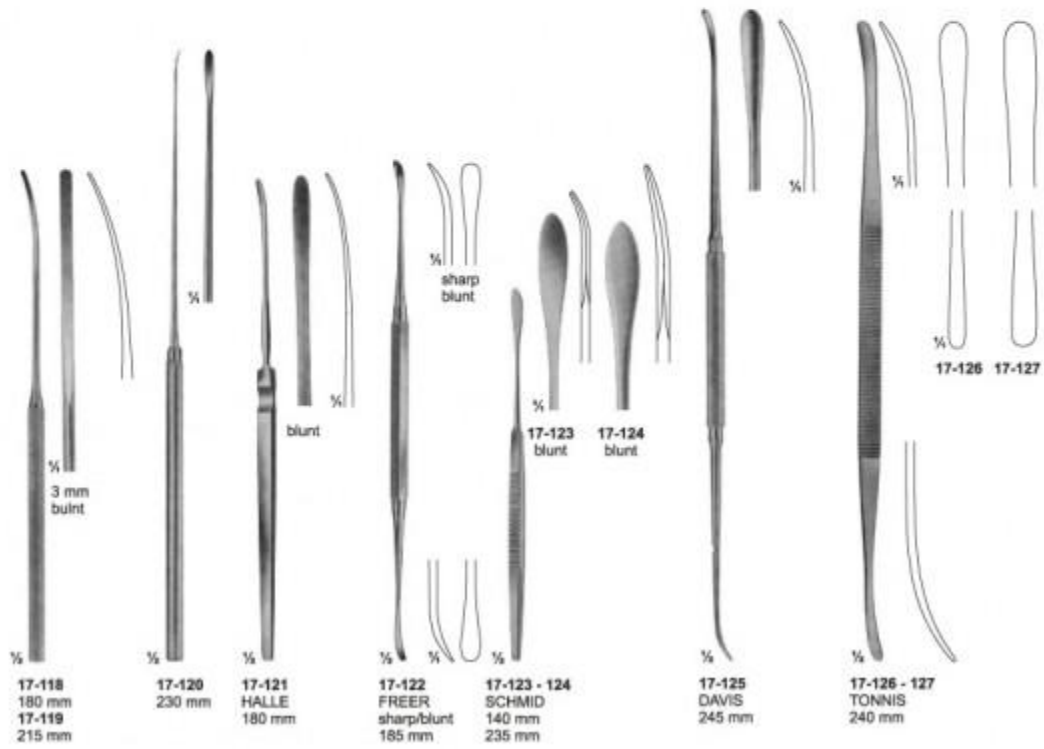
AGS-MEDICAL, Ph: +1-505-5506501 or +1-505-5655102,

Fx: +1-505-8145778, Skype: agstech1,

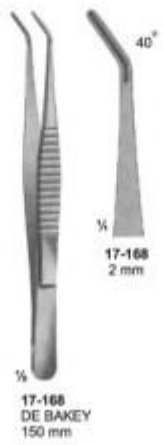
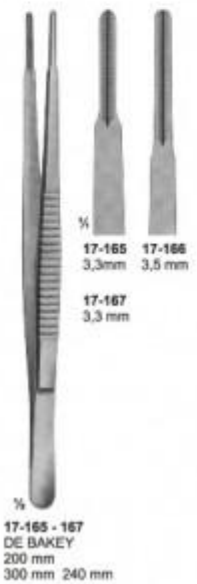
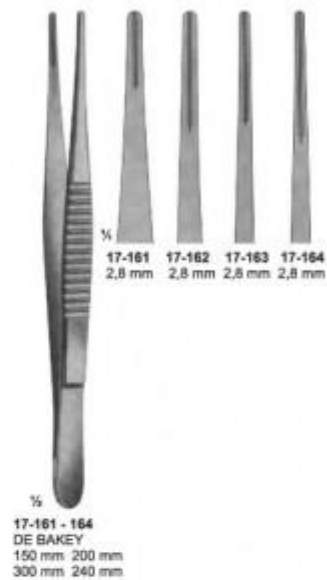
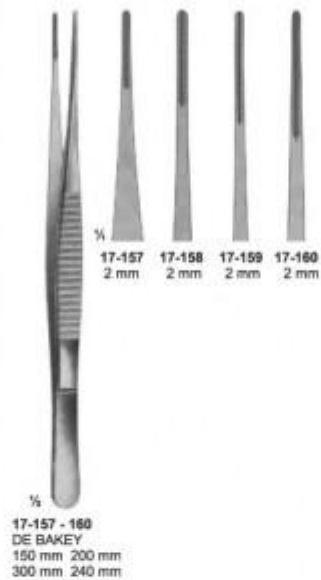
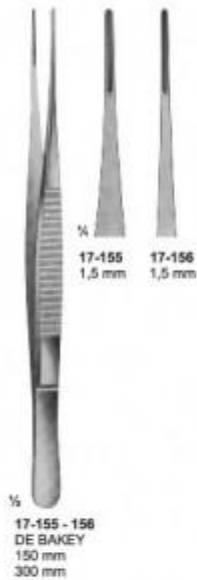
Email: sales@agsmedical.com, Web: <http://www.agsmedical.com>

Please contact us by email, phone or fax and provide us product name, product code and quantity requested. Minimum order quantities may apply for some products.

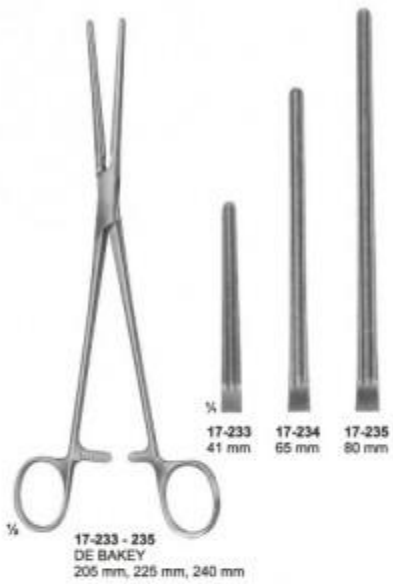
Irrigating Cannulae, Embolus Grasping Forceps, Dilators



Ultra-Light-Forceps



Vena-Cava Clamps



Aorta-Anastomosis Clamps

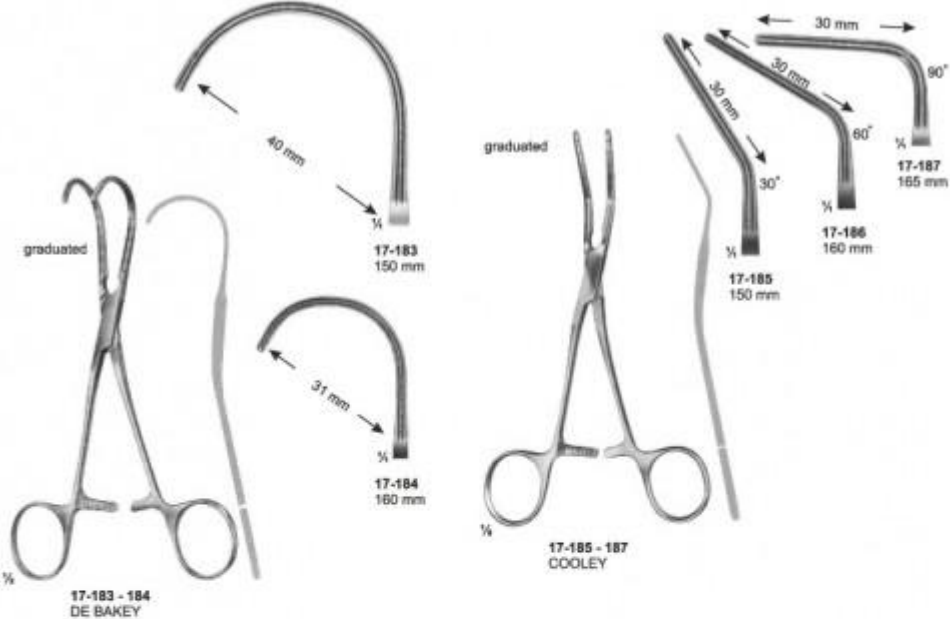


L
17-271
WEBER
265 mm

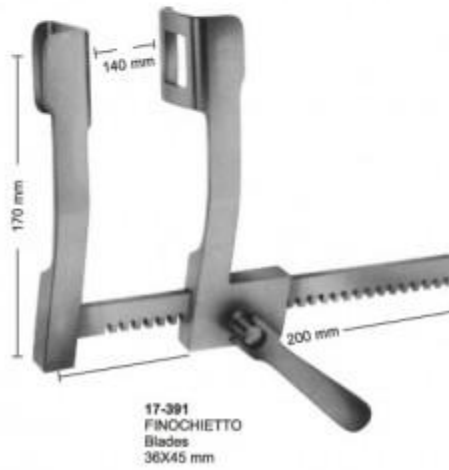
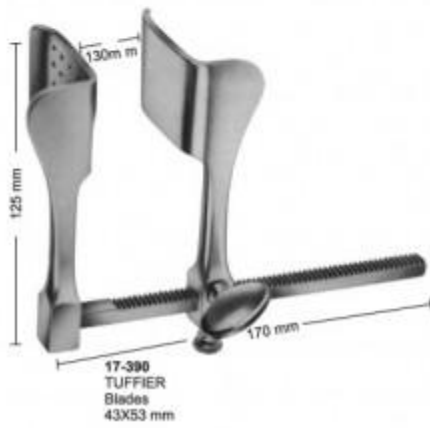


R
17-272
WEBER
265 mm

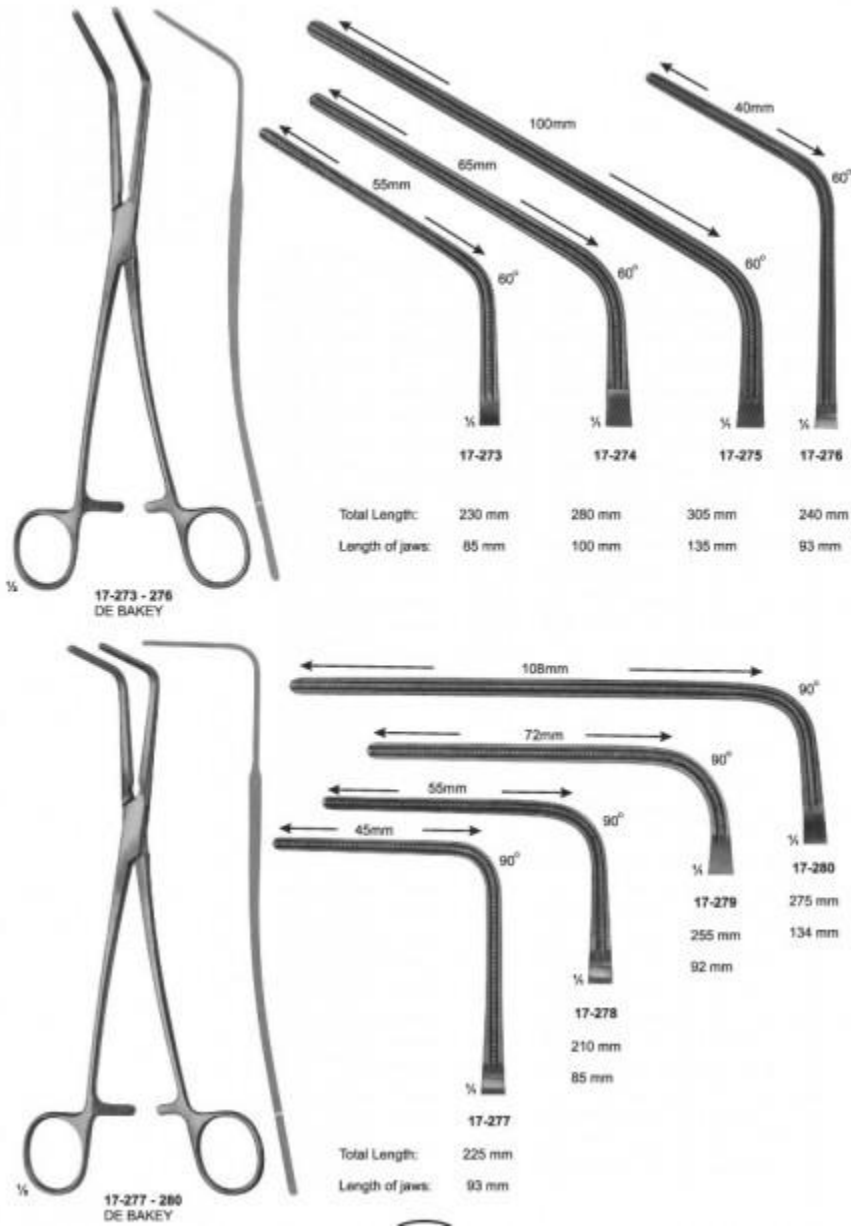
Anastomosis-and Multi-Purpose-Clamps-Pediatric types



Rib Spreaders



Aorta-Anastomosis Clamps



Rib Shears



17-354
SCHUMACHER
Sternum shears
210 mm



17-355
LEBSCHÉ
Sternum chisel
200 mm



17-356
230 mm



17-357
COLLIN
196 mm



17-358
GLUCK
190 mm



17-359
GLUCK
190 mm



17-360
BRUNNER
Universal Pattern
340 mm



17-361
GIERTZ-STILLÉ
250 mm

Rib Spreaders-and Contractors



17-416
SELLORS
Rib spreader-and contractor
with swivel blades
200 mm



17-417
BAILEY
150 mm



17-418
for children

17-419
for children

17-418 - 419
BAILEY
200 mm