

# Surgical Diode Laser

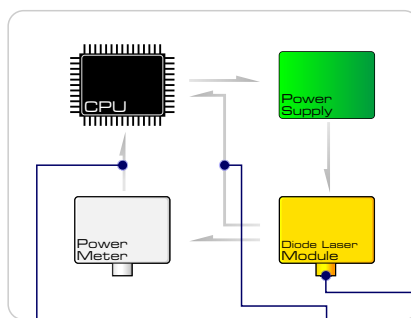
## PD030 Series

### Introduction

The PD030 surgical diode laser has two operation modes – continuous mode and repeat pulse mode. Optical fibers with diameter of 200,400,600,800,1000um can be used as its delivery system. The diode laser has quick vaporization effect and good hemostatic effect. The laser beam has no electric stimulation to nerve and tissue, there will be little injury, little pain and few complications on the patient, and the hospitalization is short. The laser can match all kinds of endoscopies by using optical fiber of different diameters. The laser also has flexible application in open surgery.

The diode laser has a high electro-optic conversion rate, producing little excess heat, so it does not require a large water cooling system like Nd:YAG or CO<sub>2</sub> lasers, which makes it small in size and light in weight. Meanwhile, the diode laser does not contain high-voltage high-temperature components, providing longer service life, more stable power output, lower power consumption and more flexible application.

### Automatic Cycle Control System



#### Safety Assurance

##### Real-time Power Monitor

The module provides a real-time power detection on diode laser module, which ensures excellent safety.

#### Accuracy Assurance

##### Automatic Power Calibration

The module provides the accurate power of fiber terminal as the final power output, ensuring that the error is within  $\pm 5\%$ .

#### Operability Assurance

##### Automatic Fiber Identification

The module can automatically distinguish the optical fiber with diameter of 200, 400, 600, 800 or 1000um.



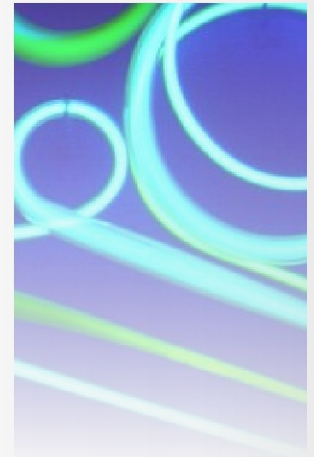
### Easy to Operate

The diode laser is applicable for laser surgery, the doctor who operates the laser is not required to have a complicated training course for operating steps. Instead, the doctor only needs to set up the most basic parameters and then start the treatment. The operation of the laser is easy.

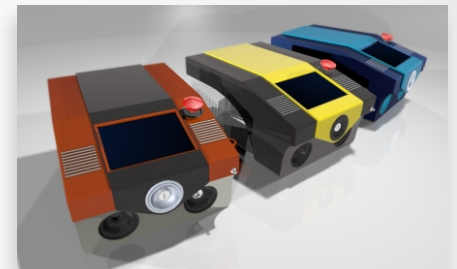
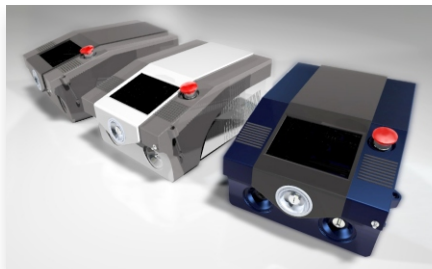


## Technical Specification

Laser Type	Diode laser
Wavelength	808nm or 908nm or 940nm
Power on Tissue	Up to 30W
Emission Mode	Continuous, Repeat Pulse
Idle Time	10-1000ms
Duty Time	10-1000ms
Delivery System	Optical fiber of 200, 400, 600, 800, 1000um diameter
Control System	Foot switch, LCD touch screen
Aiming Beam	Diode laser (635nm)
Power Supply	AC230V / 1.2 A (max.) / 50-60 Hz
Dimensions	43x30x20cm
Weight	10kg



## Optional Shell Colors



## Applications

- **E.N.T:** Staphyloplasty, cavernous hemangiomas, nasal hemorrhage, nasal sinus fenestration, rhinitis (chronic, hypertrophic, allergic), nasal polyp, turbinectomy, adenoidal hypertrophy, partial amygdalectomy, subglottic stenosis
- **Dentistry:** Dental hypersensitiveness, gingivitis, pericoronitis, apicitis, temporomandibular arthritis, recurrent oral ulcer
- **Urinary surgery:** Prostatic hypertrophy vaporization resection, cauliflower excrescence, partial nephrectomy, bladder tumor resection, scrotum cysts, hemangioma resection, ankyurethria, adhesiolysis, circumcision, sphincterotomy
- **Gynecology:** Cervical erosion, leukoplakia vulvae, condyloma acuminatum, fallopian tube recanalization, ovarian wedge resection, oophorocystectomy, salpingoplasty, hysteromyomectomy, oophorectomy, hysterectomy, endometrectomy
- **General surgery:** Adenomammectomy, hepatectomy, splenectomy, hemorrhoidectomy, appendectomy, lumpectomy, herniorrhaphy, rectofistula, laparoscopic cholecystectomy, synechiotomy
- **Neurosurgery:** Cerebral tumor, arteriovenous malformation, meningioma, ventriculostomy, neuroma, intervertebral disk hernia, spinal cord tumor, congenital hydrocephalus
- **Orthopaedics:** Percutaneous Laser Disk Decompressuer, meniscectomy, synovectomy
- **Other Applications:** Gastric & Intestine Dept., Stomatology Dept., Dermatology Dept., Ophthalmology Dept., Oncology Dept., Vascular surgery

## Company Contact Information

**AGS-Medical**

Mailing address: PO Box 4457, Albuquerque, NM 87196, USA

Tel : 505-5506501 and 505-5655102; Fax: 505-8145778;

Email: sales@agsmedical.com; info@agsmedical.com;

Skype: agstech1; Website: <http://www.agsmedical.com>



**Laser Institute  
of America**  
Laser Applications and Safety



OICASJUEHUA

