



AGS-MEDICAL, Ph: +1-505-5506501 or +1-505-5655102,

Fx: +1-505-8145778, Skype: agstech1,

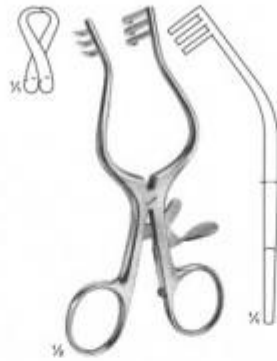
Email: sales@agsmedical.com, Web: <http://www.agsmedical.com>

Please contact us by email, phone or fax and provide us product name, product code and quantity requested. Minimum order quantities may apply for some products.

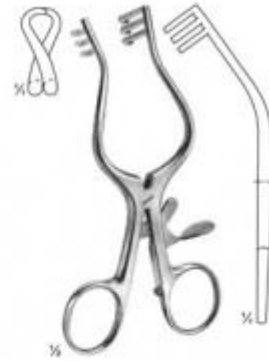
Self-Retaining Retractors



08-443
WEITLANER
Sharp
130 mm



08-444
WULLSTEIN
Sharp
130 mm



08-445
WULLSTEIN
Blunt
130 mm



08-446
WEITLANER
Sharp
165 mm



08-447
PLESTER
Blunt
110 mm



08-448
PERKINS
130 mm

Special Retractors



08-459
JOLL (FRIEDMAN)
Thyroid- and Vaginal Retractor
155 mm



08-460
JACKSON BURROWS
Retractor, blunt
185 mm



08-461
GELPI
Vaginal Retractor
135 mm



08-462
GELPI
Skin- and Vaginal Retractor
175 mm



08-463
DE BAKEY
Femur Retractor
145 mm

Lamina Spreaders



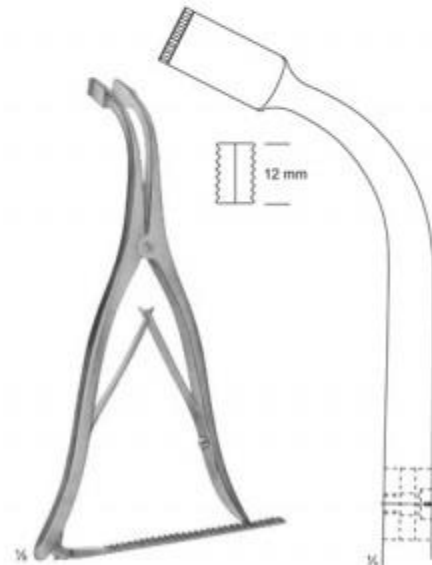
08-508
CLOWARD
155 mm



08-509
CLOWARD
135 mm

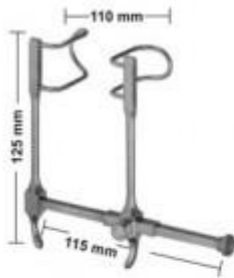


08-510
INGE
170 mm

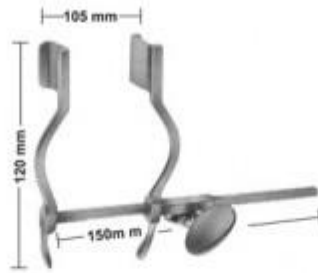


08-511
INGE
275 mm

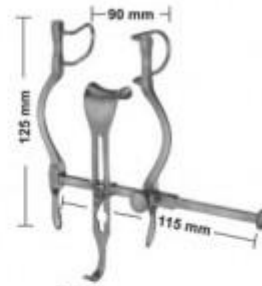
Abdominal Retractors



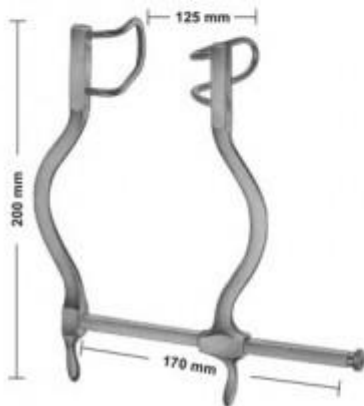
08-532
GOSSET
Blades: 38 mm deep



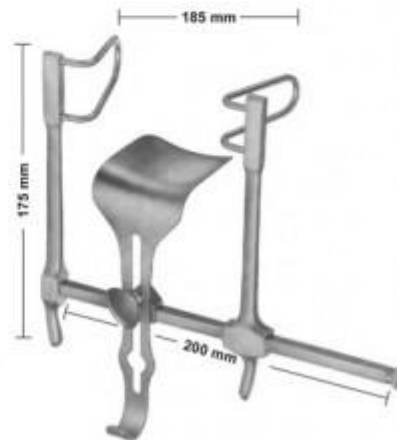
08-533
HERTZLER
Blades: 20 X 25 mm



08-534
BALFOUR-BABY
Lateral blades: 27 mm deep
Center blade: 21x24 mm

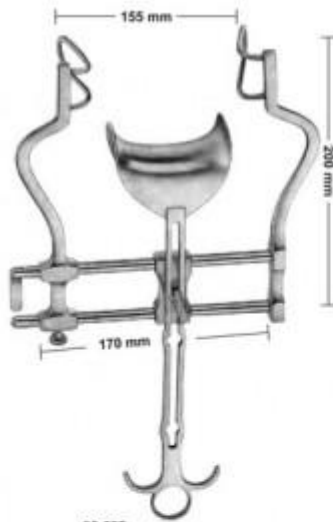


08-535
GOSSET
Blades: 55mm deep

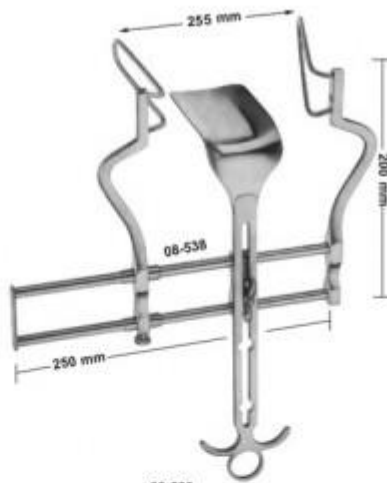


08-536
GOSSET
Lateral blades: 58 mm deep
Center blade: 59 x 57 mm

Abdominal Retractors



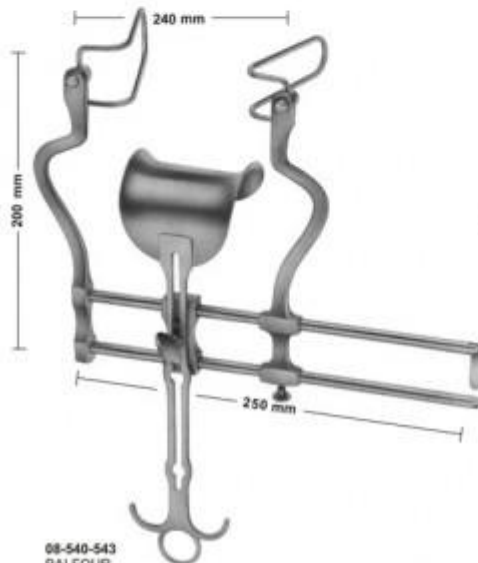
08-537
BALFOUR
Lateral blades 60 mm deep
Center blade 47 x 80 mm



08-538
BALFOUR
Lateral blades 105 mm deep
Center blade 107 x 59 mm



08-539
Center blade only
54x80 mm



08-540-543
BALFOUR
Spreader only
Lateral blades 50 mm 08-540 60 mm 08-541 75 mm 08-542 90 mm 08-543
Center blade 47 x 80 mm 62x76 mm 80x80 mm 80x80 mm



Lateral blades
08-544 50 mm deep
08-545 60 mm deep
08-546 75 mm deep
08-547 90 mm deep
Sales Unit of blades PR = pair